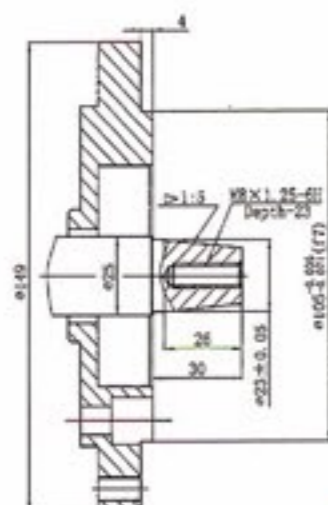
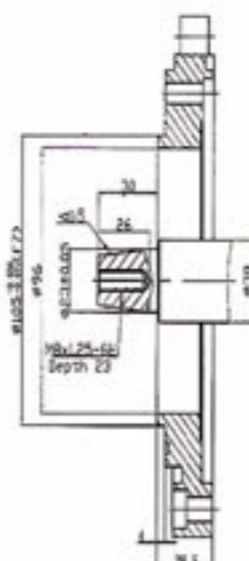




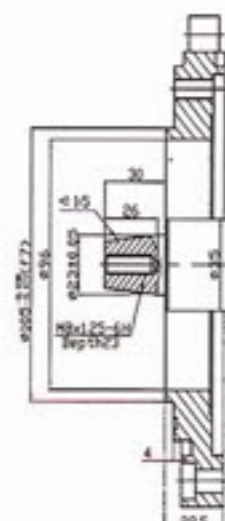
Diesel



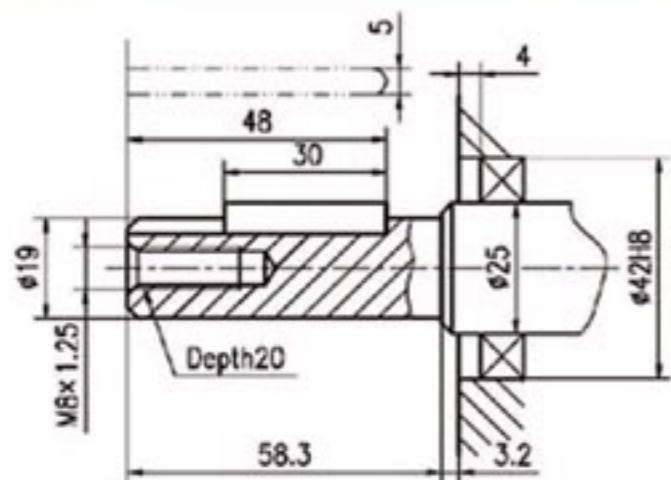
ZDM 70 C



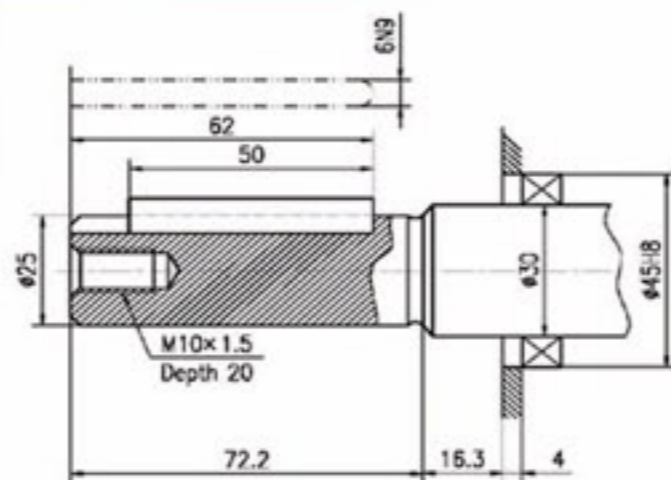
ZDM 78 C



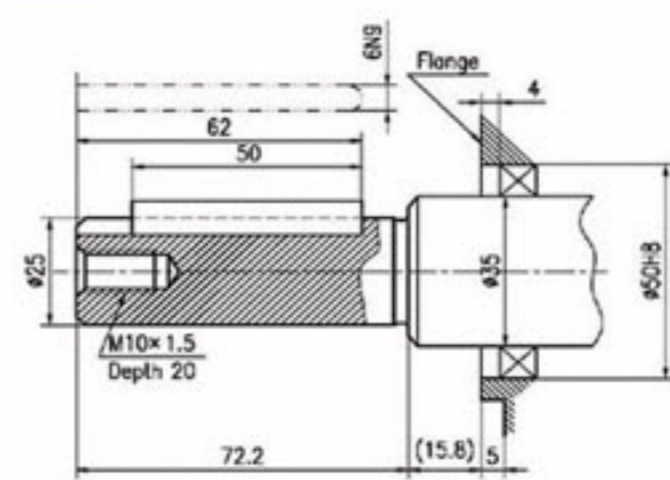
ZDM 86 C



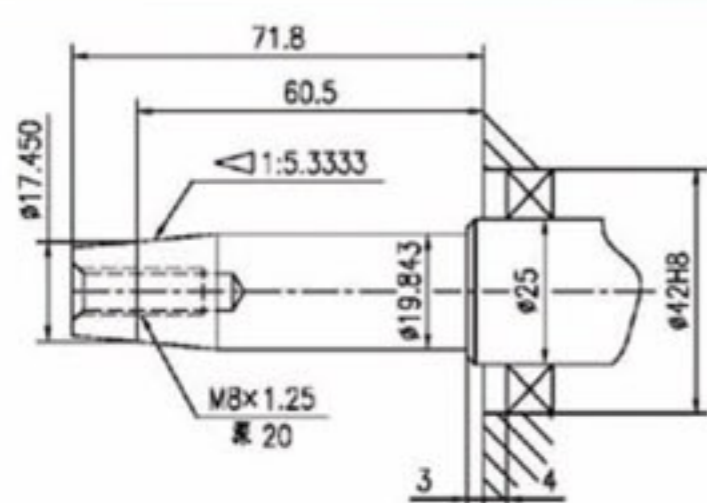
ZDM 70 L



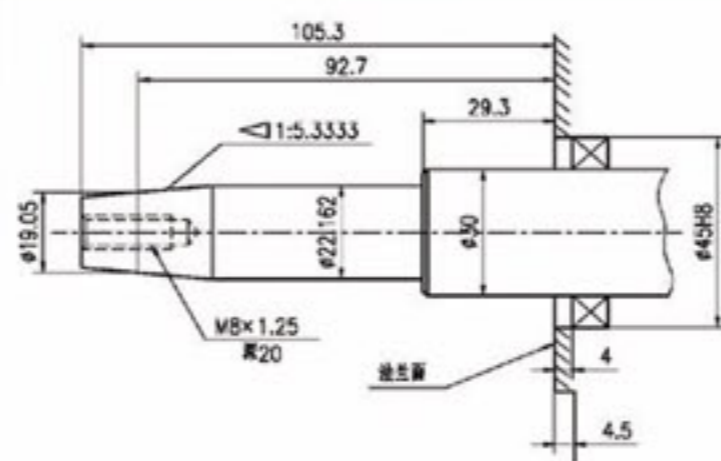
ZDM 78 L



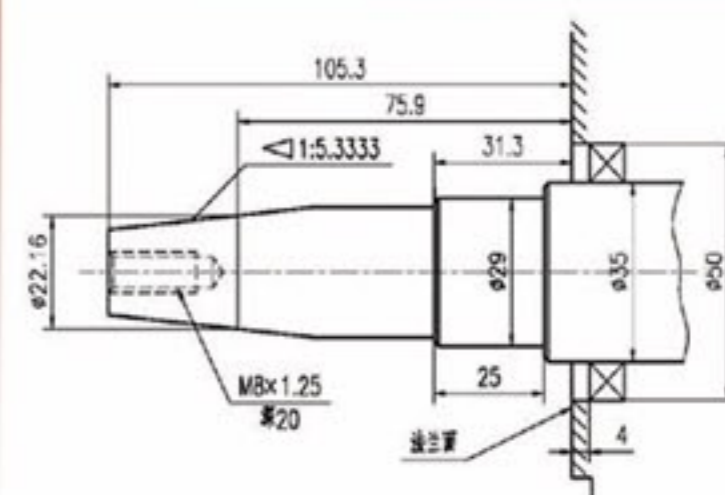
ZDM 86 L



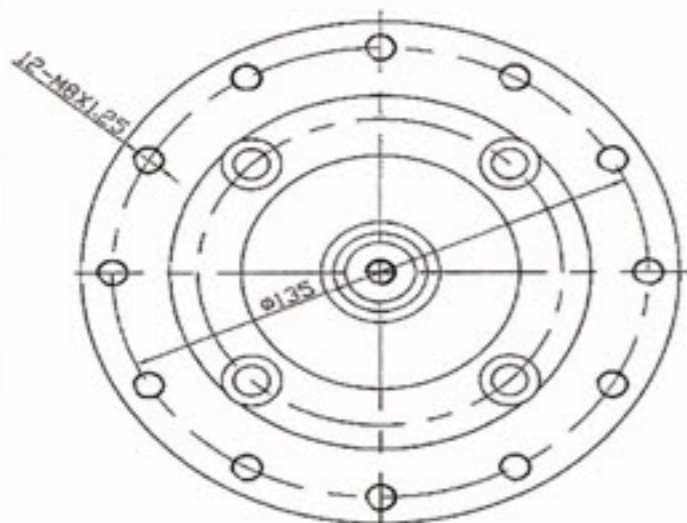
ZDM 70 G



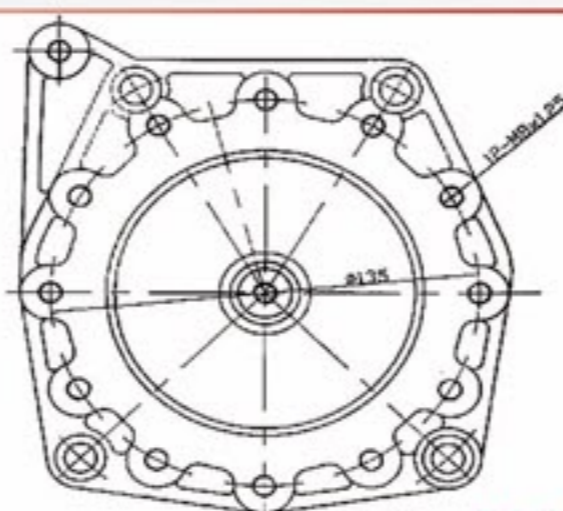
ZDM 78 G



ZDM 86 G



FLANGIA - FLANGE ZDM 70 C



**FLANGIA - FLANGE
ZDM 78 C - ZDM 86 C**

LEGENDA:

- C = albero conico (appl. motozappa)
- L = albero cilindrico (appl. industriale)
- G = albero conico (appl. generatore)

LEGEND:

- C = taper crankshaft (appl. motor hoe)
- L = keyway crankshaft (appl. industrial)
- G = taper crankshaft (appl. generator)